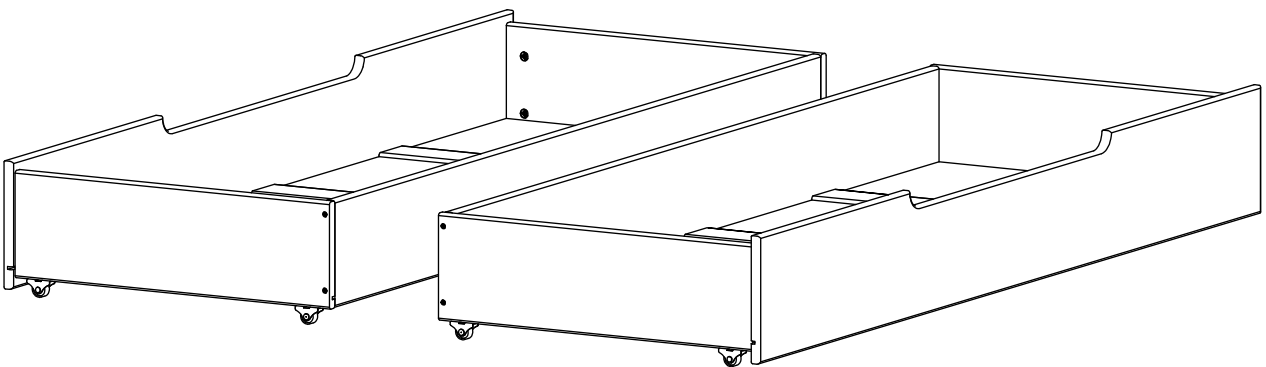
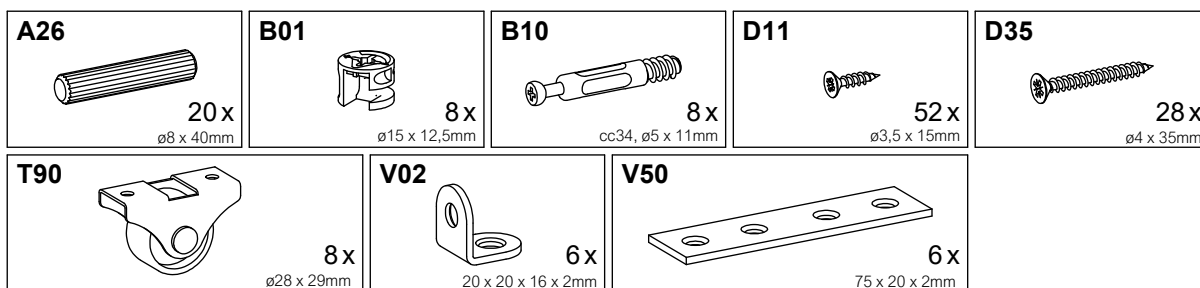
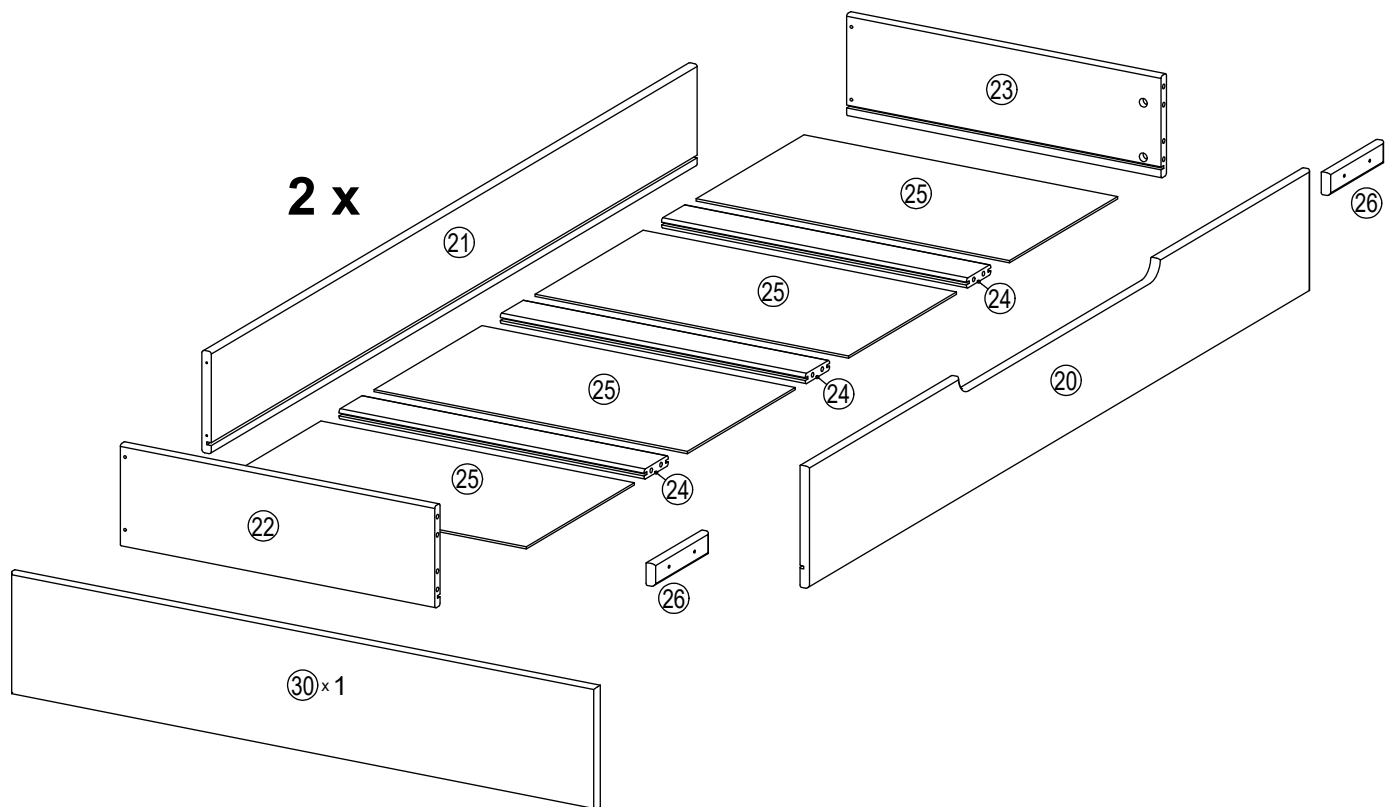
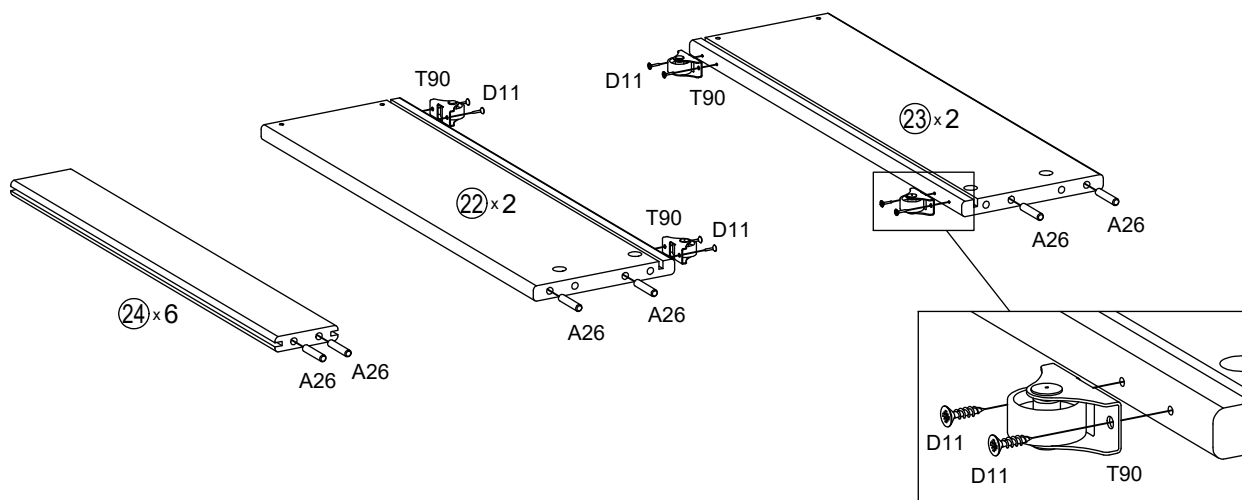
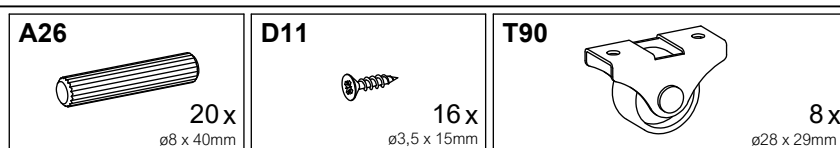


Aufbauanleitung Schubkasten "Loano"  
Instructions de montage tiroir « Loano »  
Montagehandleiding ladekast "Loano"

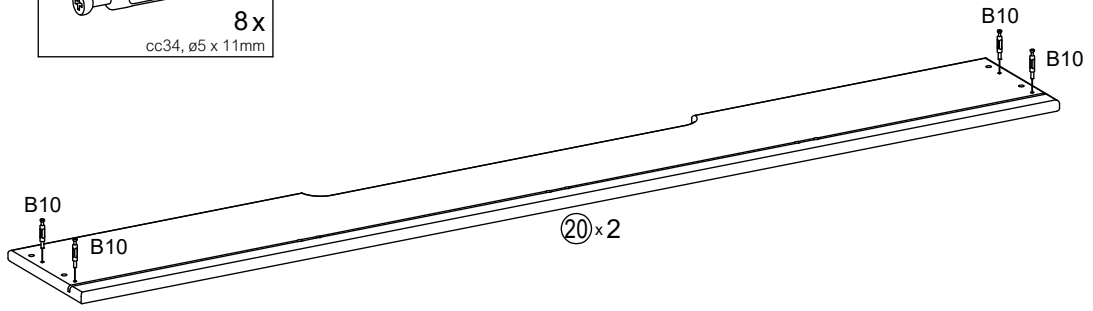
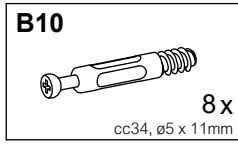




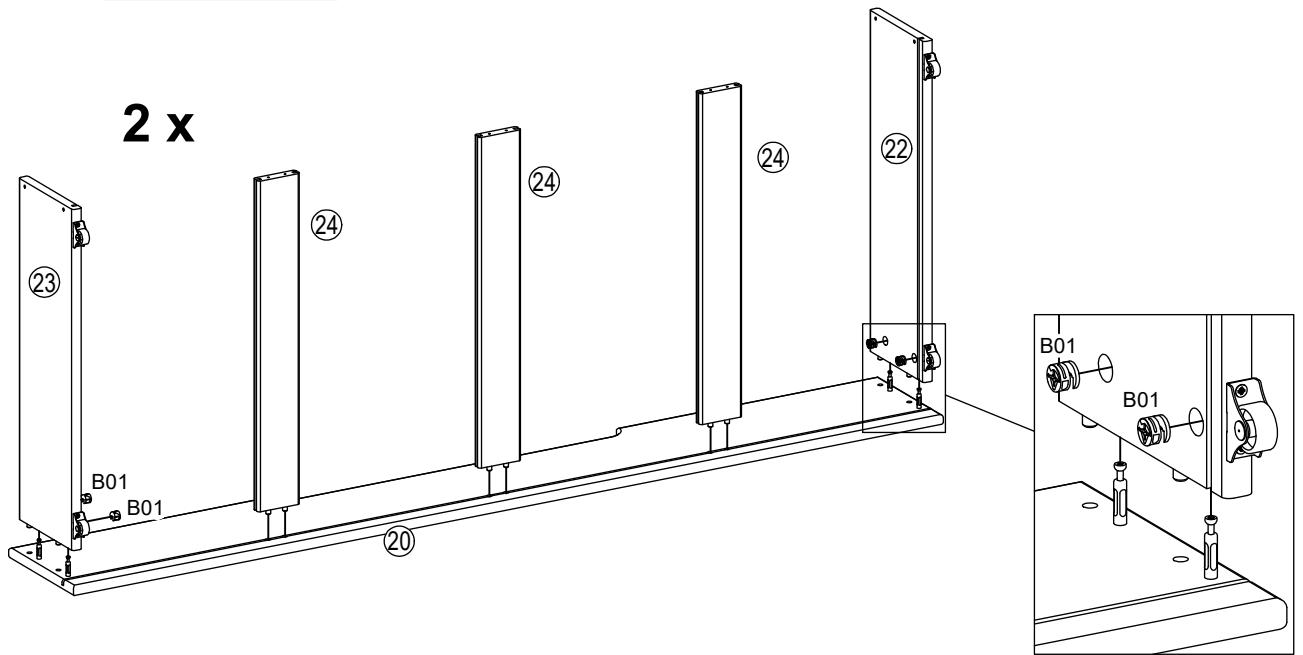
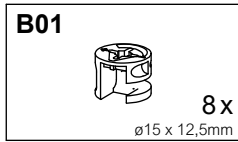
**1**



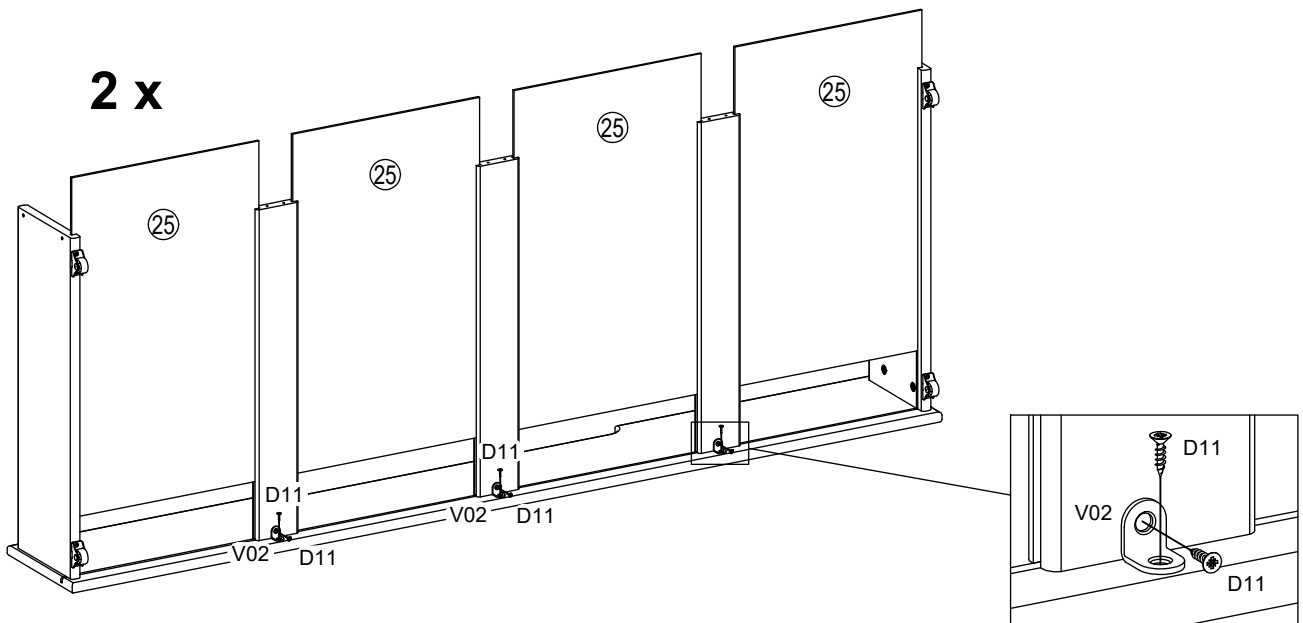
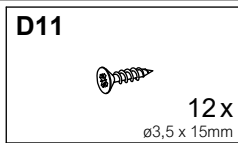
2



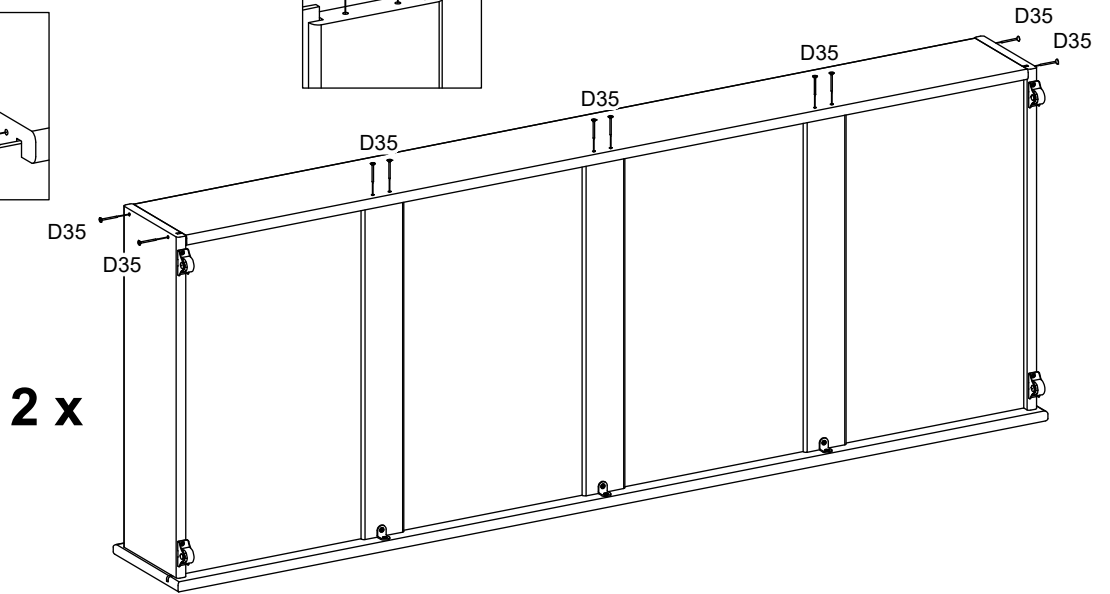
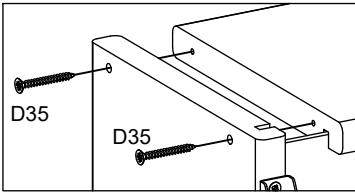
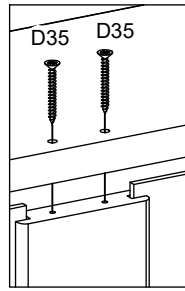
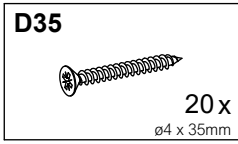
3



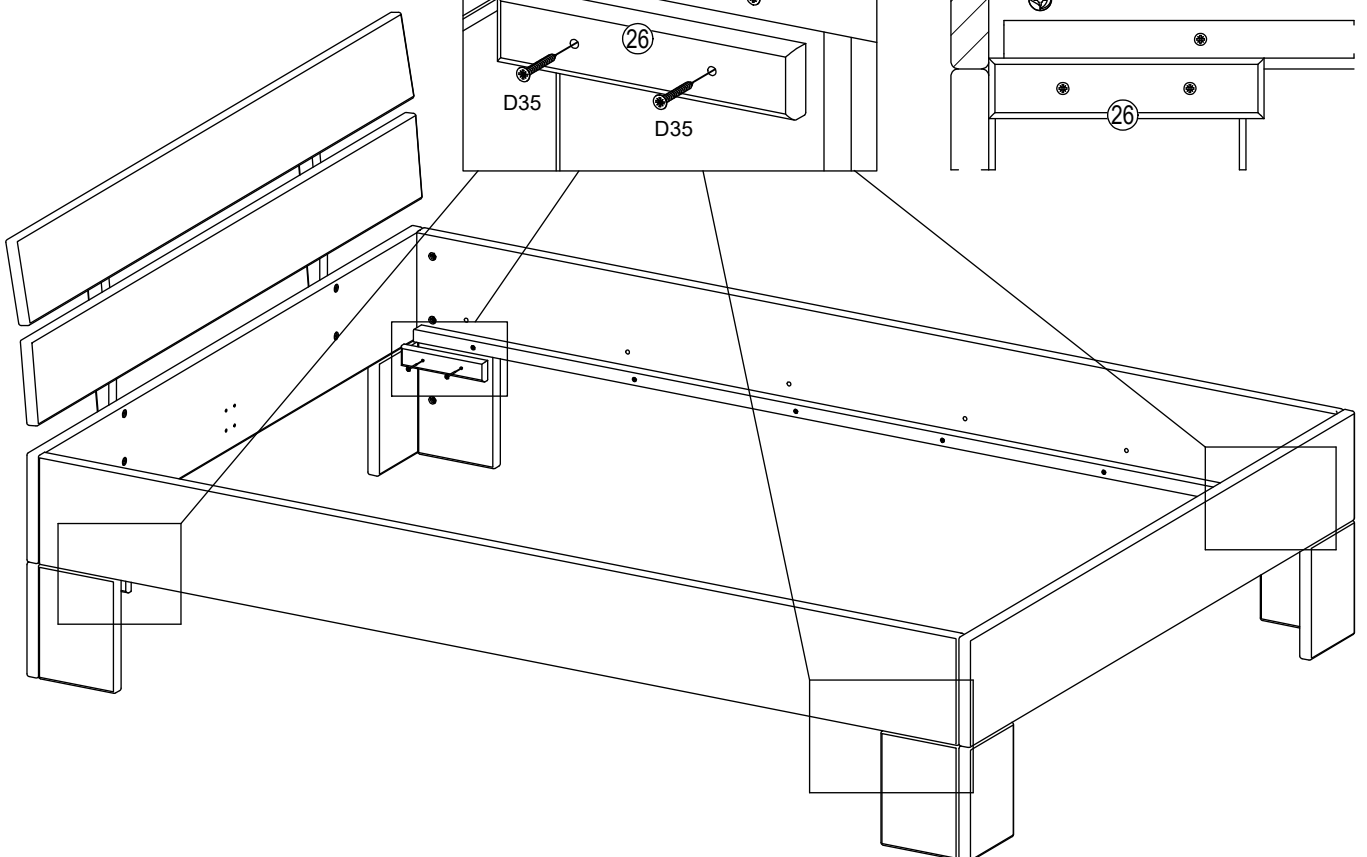
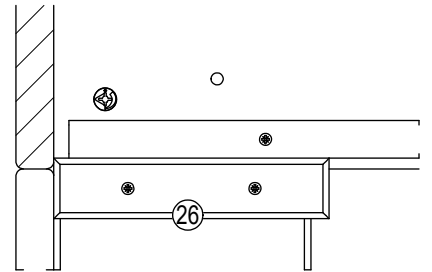
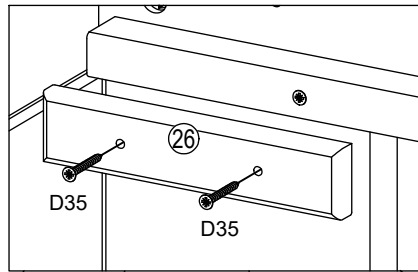
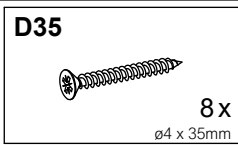
4




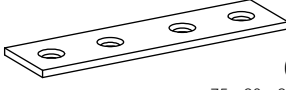
5

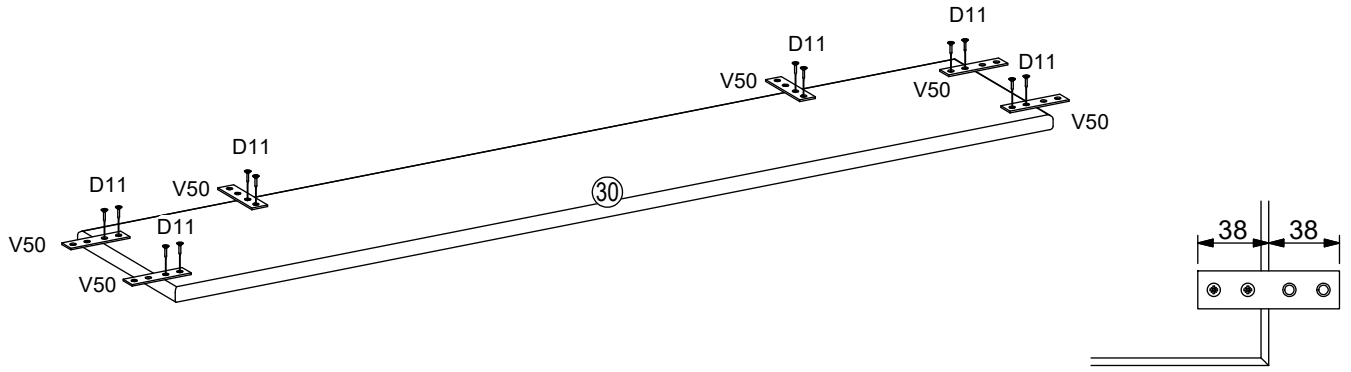


6




# 7

<b>D11</b>  12 x ø3,5 x 15mm	<b>V50</b>  6 x 75 x 20 x 2mm
--	---



# 8

<b>D11</b>  12 x ø3,5 x 15mm
--

